



Zip HydroTap Classic

FILTERED: BOILING CHILLED

Offering the choice of instant filtered boiling, chilled or sparkling water, or all three in any combination, the iconic industrial design of the Classic remains a much-loved and popular choice suited to any workplace or home. A safe, energy-efficient and highly functional appliance, we offer models to suit a range of business sizes and needs.



STANDARD



| MODEL | MIXED HOT AND COLD | FILTRATION 0.2 MICRON | FONT | CO ₂ | NOMINAL POWER RATING KW | COMMAND CENTRE DIMENSIONS W X D X H |
|------------|--------------------|-----------------------|------|-----------------|-------------------------|-------------------------------------|
| HT1764Z3UK | N | Y | Y | N | 2.15 kW @ 230V | 280mm x 470mm x 335mm |

Features and benefits

Advanced filtration

Integral 0.2 micron NSF certified Zip MicroPurity filtration system offers 25 times better filtration than a standard water filter jug, eliminating bad taste and odour of chlorine, heavy metals and impurities as tiny as one five-thousandth of a millimetre, but leaving beneficial fluoride.

Power-Pulse™ technology

Reduces energy consumption by allowing the system to regulate its power during periods of high and low usage.

Unique safety features

The Zip HydroTap is designed with safety front of mind, with boiling isolation, cool touch tap and safety lock features.

Touchscreen diagnostics

The compact under-counter unit includes a simple PIN code protected touchscreen that puts the user in total control of the system, including temperature, dispensing time, safety features, energy-saving settings and continuous auto-diagnostics.



Product detail

Specification type

| | |
|--------------|--|
| Product code | HT1764Z3UK |
| Product name | HydroTap G4 Classic boiling chilled 100/75 matt black for work |

Capacity, weights & dimensions

| | |
|-------------------------------|-----------------------|
| Water functions | Boiling, Chilled |
| Boiling capacity | 100 Cups per hour |
| Chilled capacity | 75 Glasses per hour |
| Unit dimension (W x D x H) | 280mm x 470mm x 335mm |
| Product weight - empty / full | 22kg / 36kg |

Plumbing

| | |
|---------------------------------------|---|
| Wholesome water inlet supply required | Cold Feed |
| Supply pressure range | 1.7bar - 5bar |
| Supply connection (hot & cold) | 1 x isolated 1/2"bsp BSP fitting (flexible supply hoses included) |
| Installation | Must comply with current water supply regulations |

Electrical

| | |
|-----------------------------|--|
| Command centre power rating | 2.15 kW @ 230V |
| Voltage supply | 13 amps |
| Power supply requirements | 1 x 13amp socket outlet |
| Cable length | 1.8m fitted with UK standard 3-pin plug |
| Installation | Must comply with current IEE regulations |

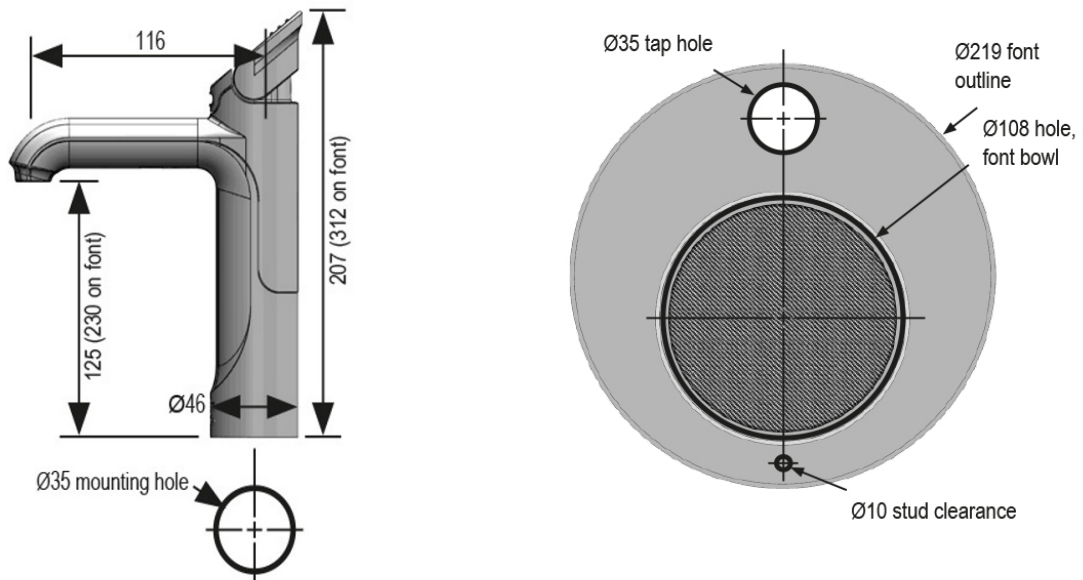
Tap design

| | |
|----------------------------|------------------|
| Style | HydroTap Classic |
| Finish | Matt Black |
| Installation hole cut size | 35mm |
| Rotation | Fixed |
| Disability options | Yes |
| Country of Origin | Australia |

Command centre

| | |
|-------------------------------------|-----------------------------|
| Factory temperature boiling | 98°C |
| Factory temperature chilled | 6-10°C |
| Filtration | 0.2 Micron Filter Cartridge |
| Flow rate | 3.0-4.0 l/min |
| Wholesome water supply requirements | Cold Feed |
| Refrigerant | R134a |
| Tank material | PPS |
| Country of origin | Australia |

Tap installation



Under-counter unit installation

Clearance space required
for under counter unit

